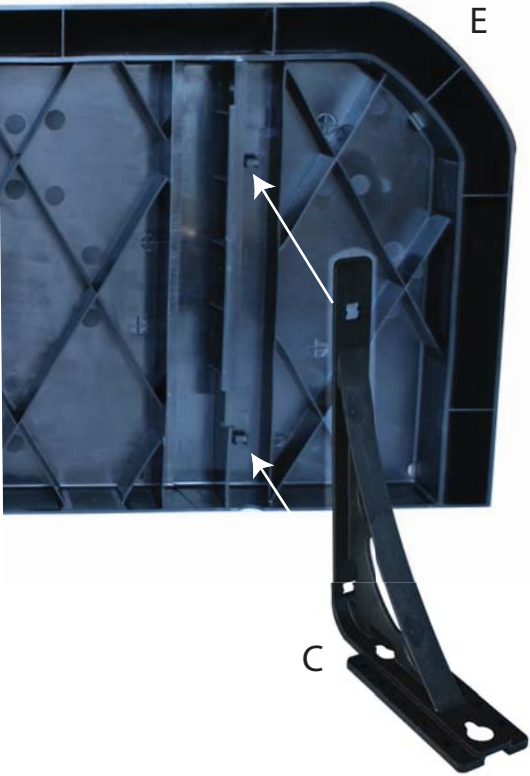


# SmartBar

## Assembly Instructions:

Figure 1



Step #1- Attach the left and right brackets to SmartBar by snapping into notched clips. Push brackets onto clips with equal hand force.

CAUTION: Excessive force can damage table clips. (See Fig. 1)

**Step #2 - Permanent Mounting method**

Attach the SmartBar using (20) #12 1" Mounting Screws in the right and left brackets. (See Fig. 2).

**Step #3 - Removable Mounting Method**

Determine the height of the SmartBar and mark holes in the mounting bracket keyholes. Attach the mounting knobs using (4) #12 1-1/2" Mounting Screws. Place the bar onto the mounting knobs and snap into place. (See Fig. 3).

ITEM	PART#	DESCRIPTION	QTY
A	100027	#12 X 1-1/2" MOUNTING SCREWS	4
B	100801	#12 X 1" MOUNTING SCREWS	20
C	100749	MOUNTING BRACKET	2
D	100751	MOUNTING KNOB	4
E	100748	SMART BAR W/NON-SLIP PAD	1

Figure 2 - Permanent Mount

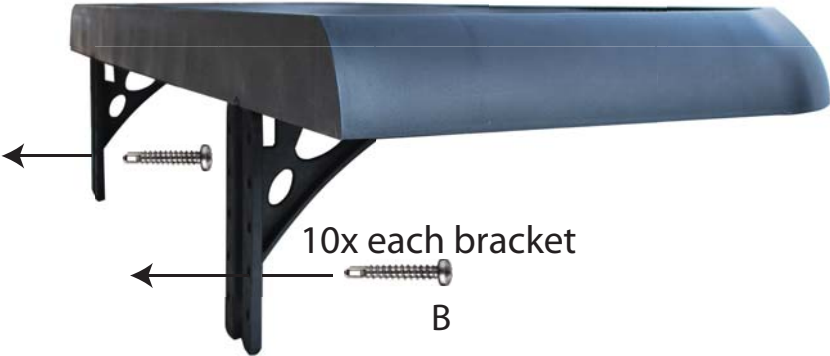


Figure 3 - Removable Mount

